



Black Hills Designs SCAR SSR RAIL INSTALLATION INSTRUCTIONS

STEP 1

CHECK IF FIREARM IS UNLOADED!

STEP 2

Field Strip SCAR

STEP 3

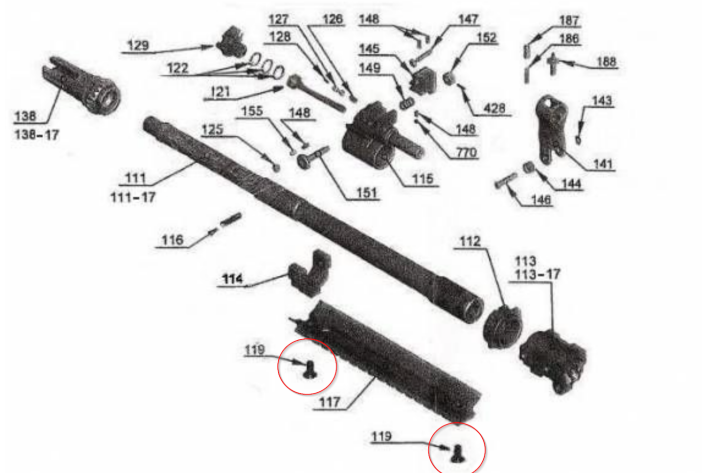
Remove barrel

STEP 4

Remove front sight by driving out roll pin on the right side (as seen by shooter) of the front sight

STEP 5

Using a map gas torch heat the screws to the lower handguard rail and remove the screws



STEP 6

Remove 114 in diagram above and replace with included extended bracket in parts and reinsert screws with green lock tight as per fn armorer standards

STEP 7

Slide the ssr rail extension over the muzzle end of the barrel and slide it onto the provided bracket

STEP 8

Secure rail with provided hex screws with red loctite and torque to 38 in-lbs

STEP 9

Reinstall barrel and check for function

Thank you :)

